

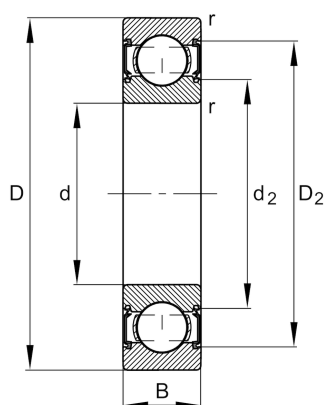
FAG

6200-C-2HRS

Deep groove ball bearing

Schaeffler ID:
0956623910000Deep groove ball bearing 62...-C-2HRS,
single row, Generation C, seals, steel
sheet metal cage

Technical information

**Dimensions**

| | | |
|------------|---------|-----------------------------|
| r_{\min} | 0.6 mm | Minimum chamfer dimension |
| D_2 | 25.7 mm | Caliber diameter outer ring |
| d_2 | 15.1 mm | Caliber diameter inner ring |
| | 0.03 kg | Weight |

Main Dimensions & Performance Data

| | | |
|----------|--------------|-----------------------------------|
| d | 10 mm | Bore diameter |
| D | 30 mm | Outside diameter |
| B | 9 mm | Width |
| C_r | 7,000 N | Basic dynamic load rating, radial |
| C_{0r} | 2,600 N | Basic static load rating, radial |
| C_{ur} | 181 N | Fatigue load limit, radial |
| n_G | 26,000 1/min | Limiting speed |

Mounting dimensions

| | | |
|-------------|---------|--------------------------------------|
| $d_{a\min}$ | 14.2 mm | Minimum diameter shaft shoulder |
| $D_{a\max}$ | 25.8 mm | Maximum diameter of housing shoulder |
| $r_{a\max}$ | 0.6 mm | Maximum fillet radius |

Calculation factors

| | | |
|-------|----|--------------------|
| f_0 | 12 | Calculation factor |
|-------|----|--------------------|

Temperature range

| | | |
|------------|--------|----------------------------|
| T_{\min} | -20 °C | Operating temperature min. |
| T_{\max} | 100 °C | Operating temperature max. |

